



Speed & Technique

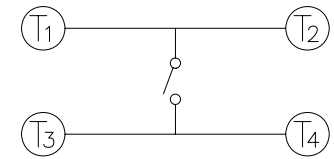
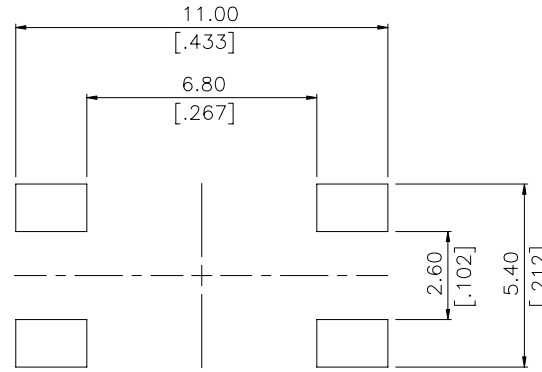
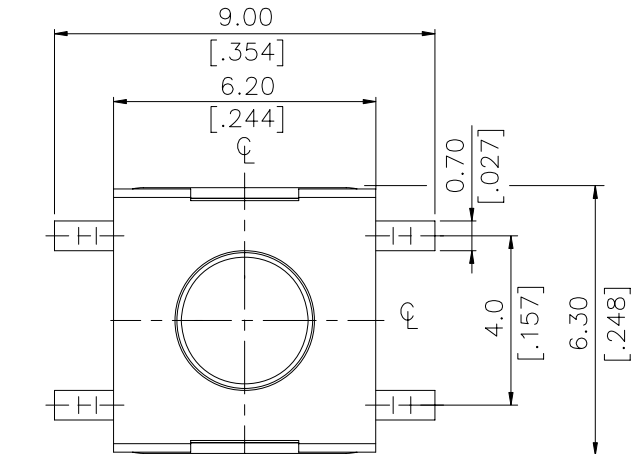
DIPTRONICS MANUFACTURING INC.

DTSHW-6, DTS(G)MW-6 SERIES



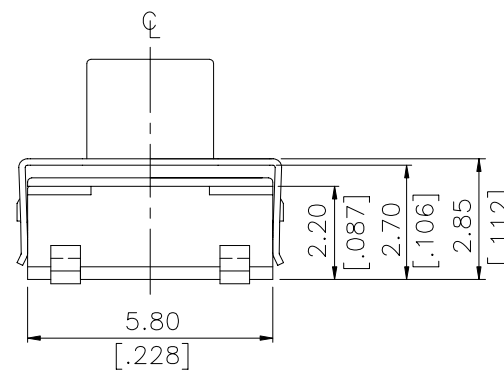
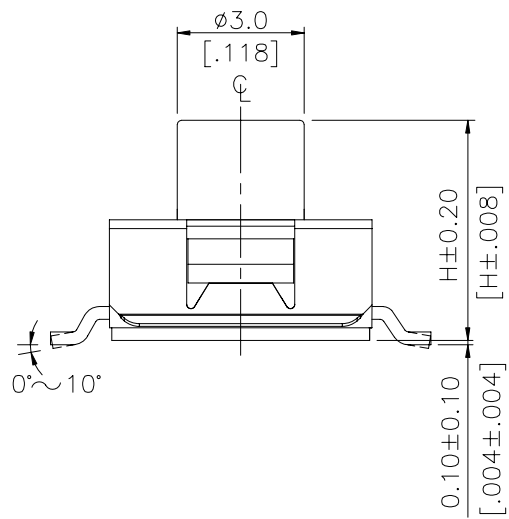
DIMENSIONS

DTSMW-64.65.67.69



P.C.B. LAYOUT

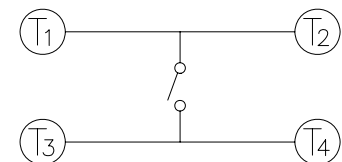
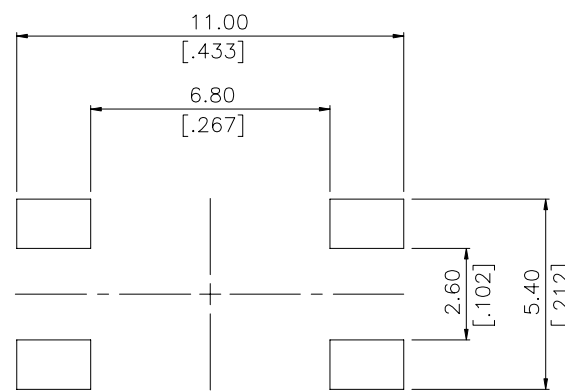
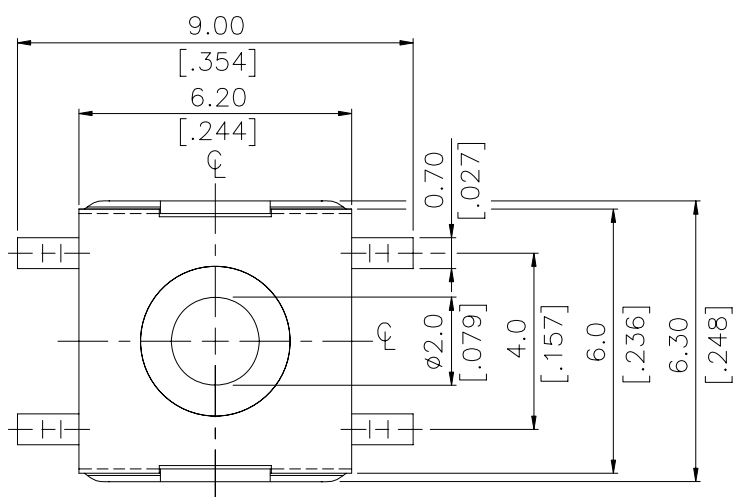
CIRCUIT DIAGRAM



DTSMW-69	3.8mm [.150]
DTSMW-67	5.2mm [.205]
DTSMW-65	3.5mm [.138]
DTSMW-64	4.5mm [.177]
PART NO:	H

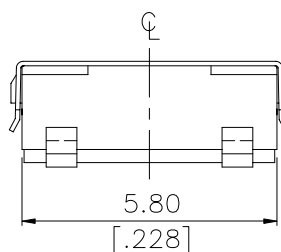
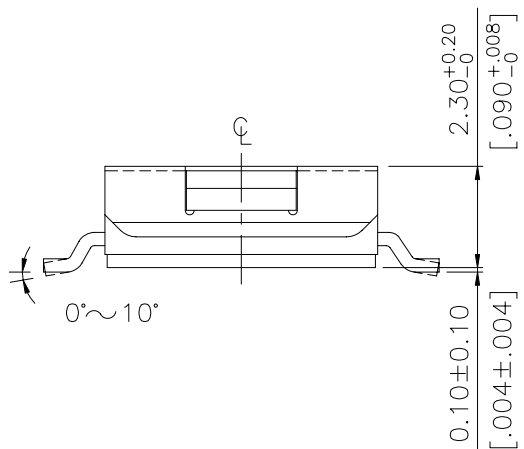
General Tolerance : $\pm 0.2\text{mm}$

DTSMW-68



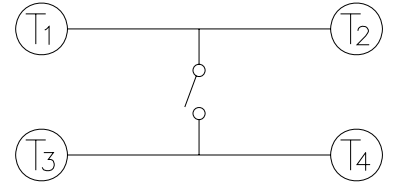
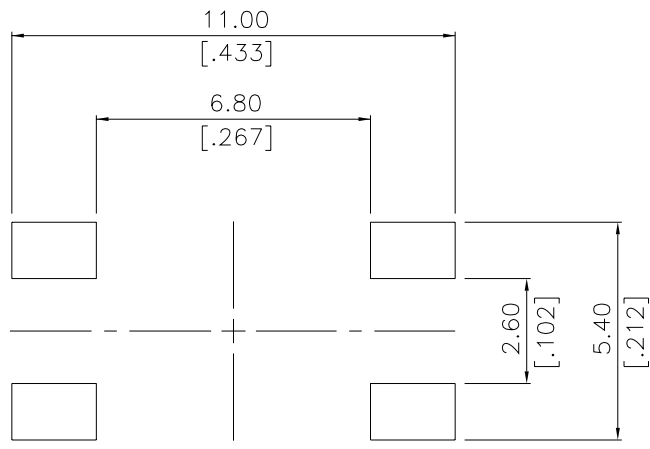
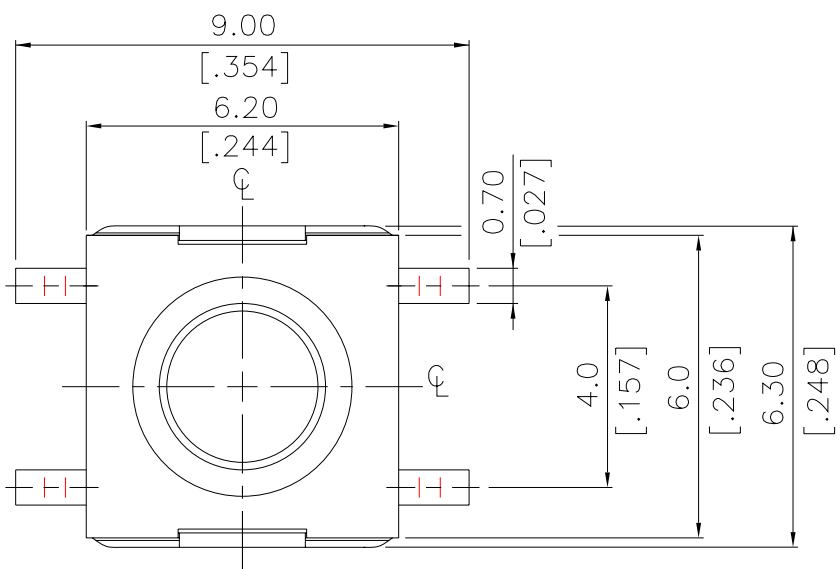
(SCALE 8:1)
P.C.B. LAYOUT

CIRCUIT DIAGRAM



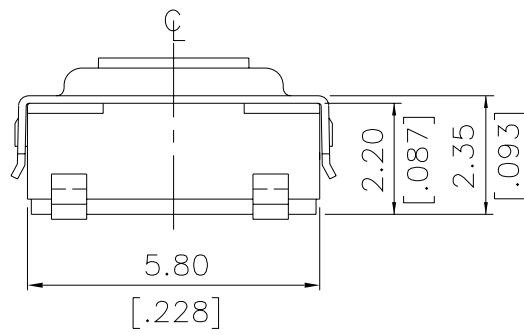
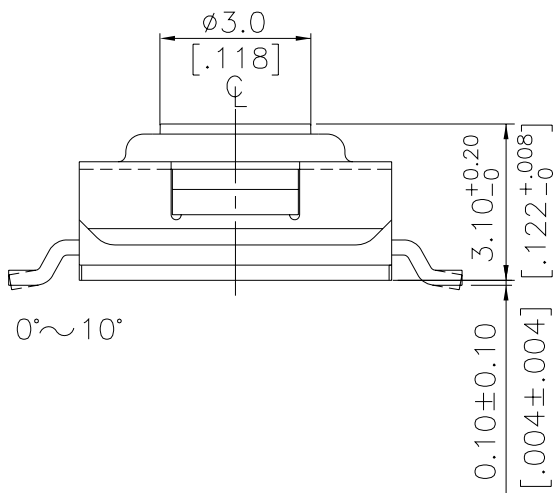
General Tolerance : $\pm 0.2\text{mm}$

DTSMW-66

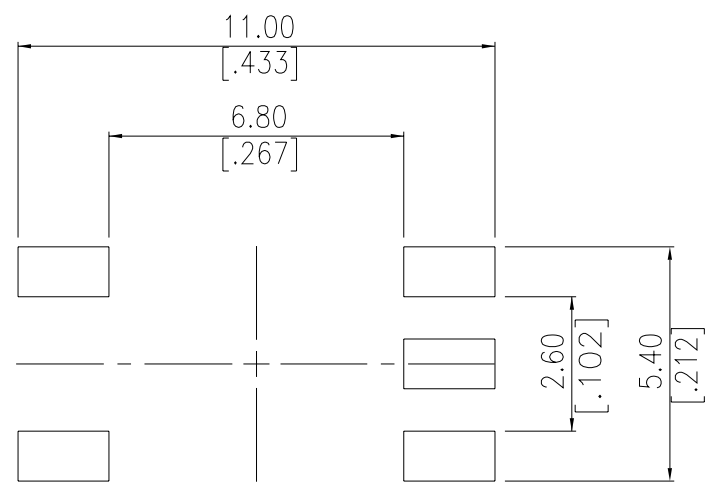
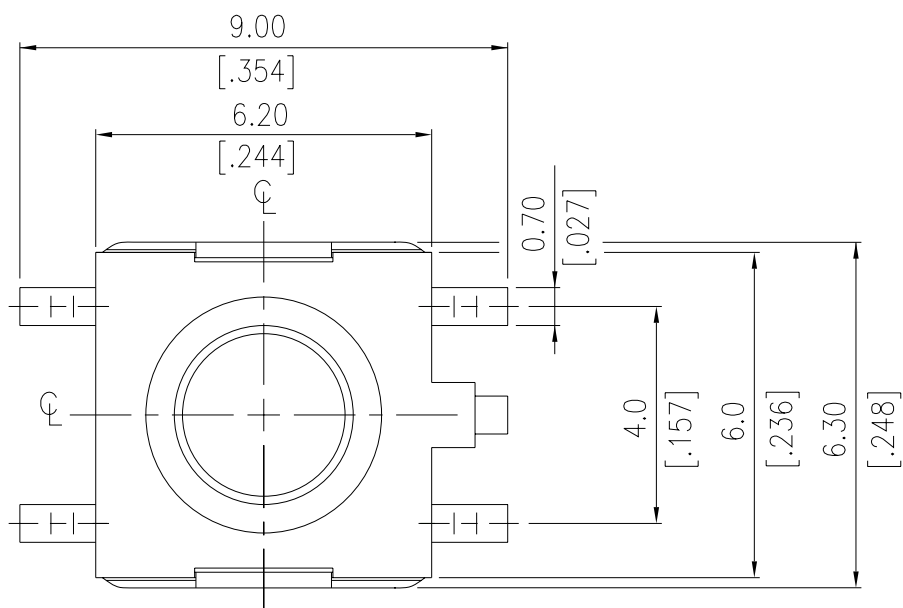


(SCALE 8:1)
P.C.B. LAYOUT

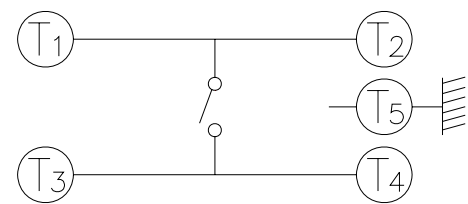
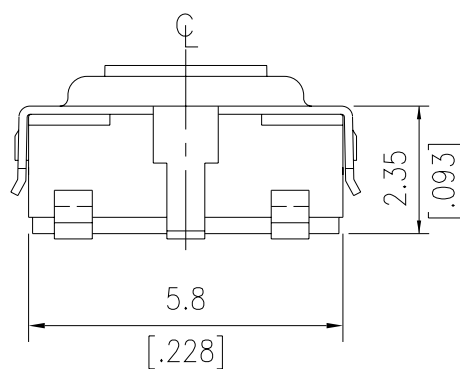
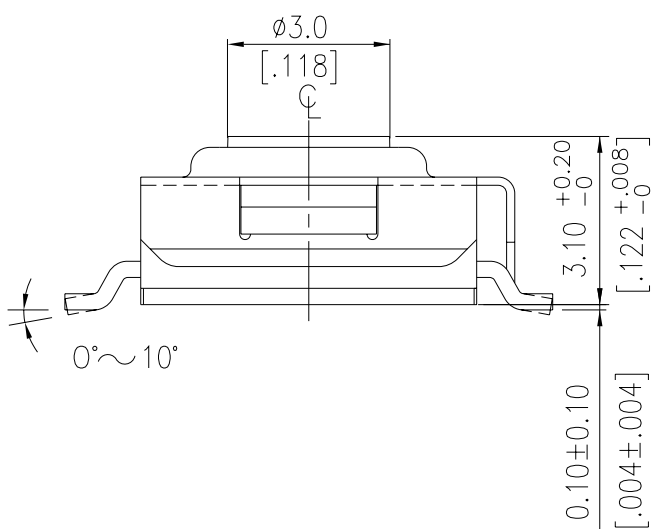
CIRCUIT DIAGRAM



DTSGMW-66

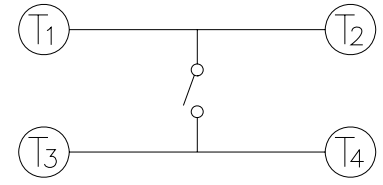
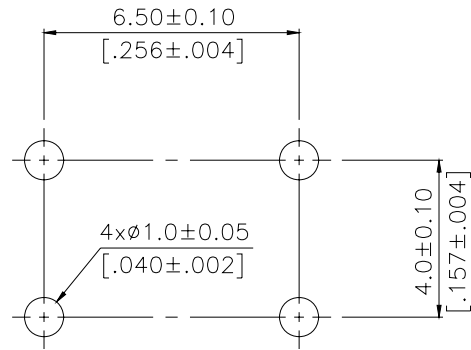
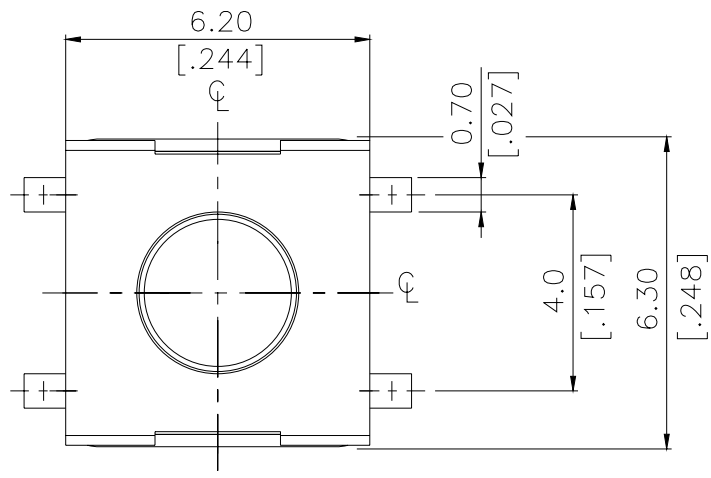


P.C.B. LAYOUT



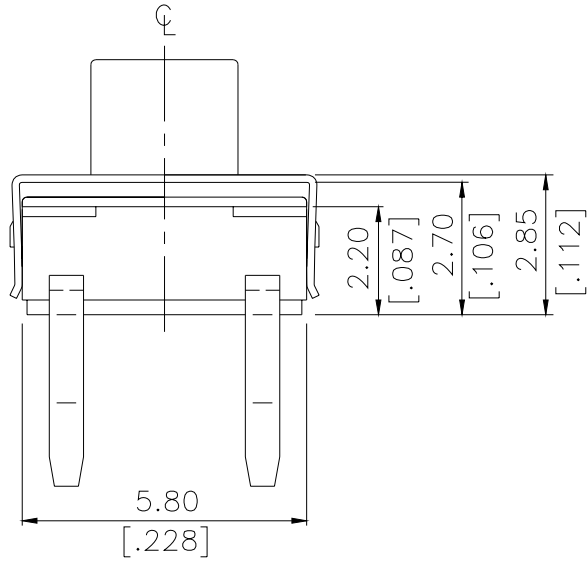
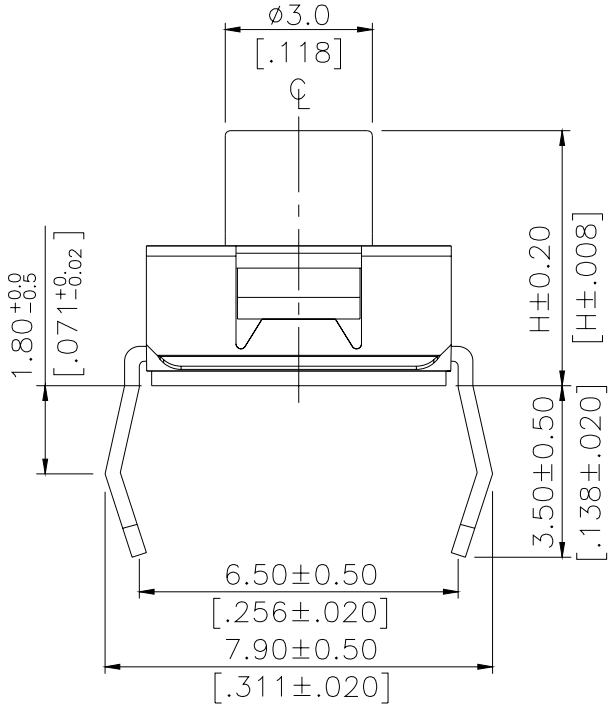
CIRCUIT DIAGRAM

DTSHW-64.65.67.69



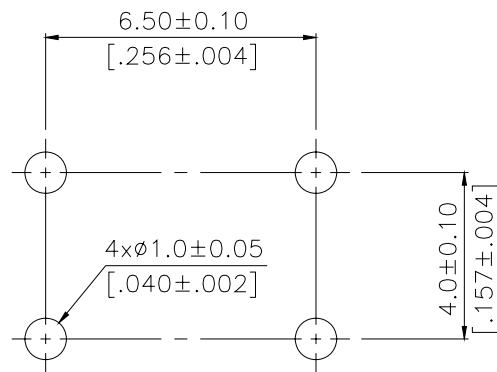
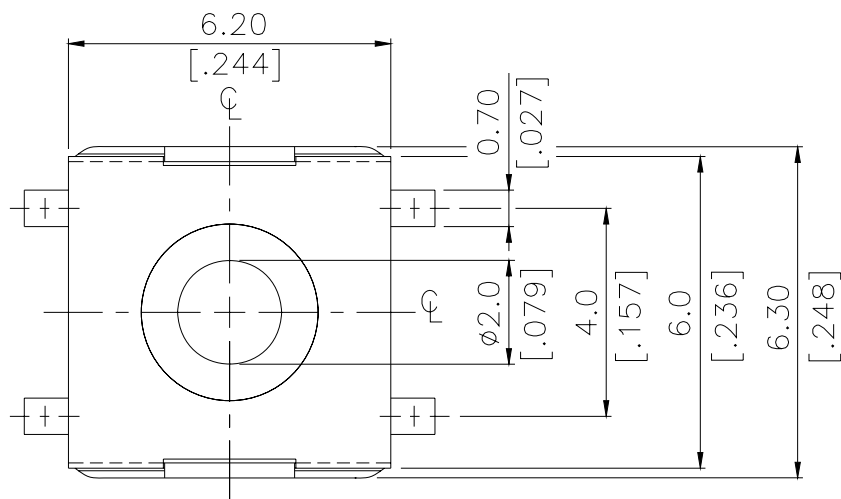
P.C.B. LAYOUT

CIRCUIT DIAGRAM



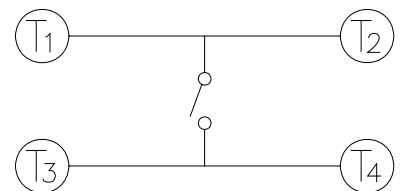
DTSMW-69	3.8mm[.150]
DTSMW-67	5.2mm[.205]
DTSMW-65	3.5mm[.138]
DTSMW-64	4.5mm[.177]
PART NO:	H

DTSHW-68

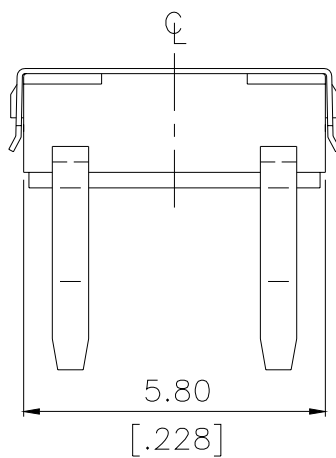
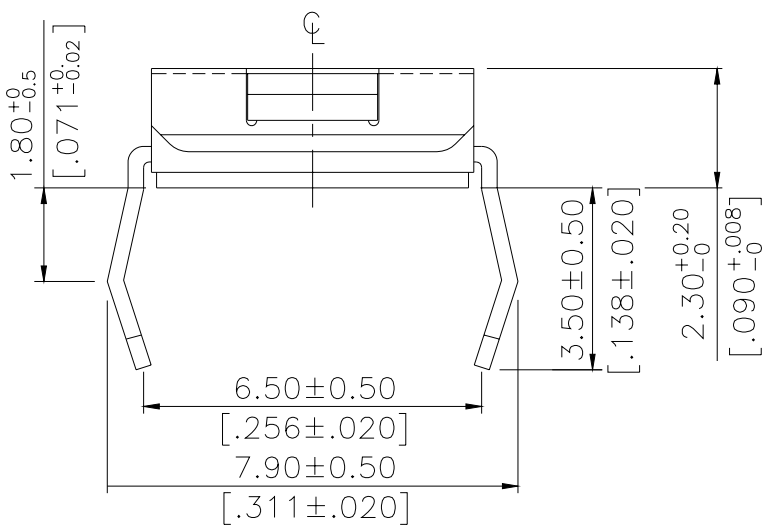


(SCALE 8:1)

P.C.B. LAYOUT

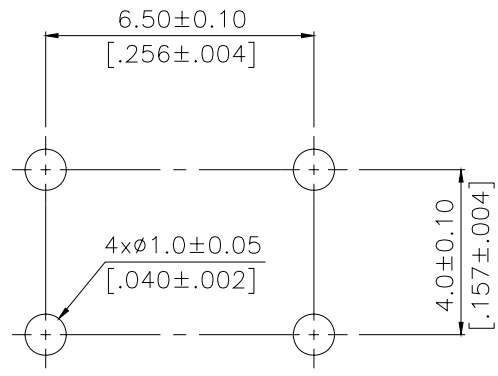
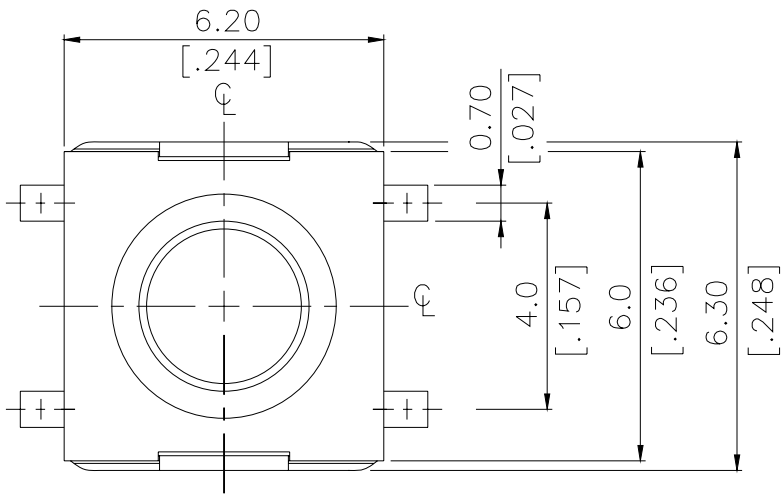


CIRCUIT DIAGRAM



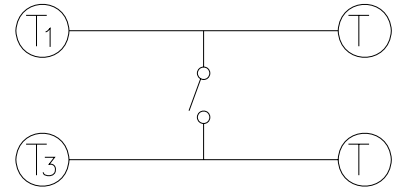
General Tolerance : ±0.2mm

DTSHW-66

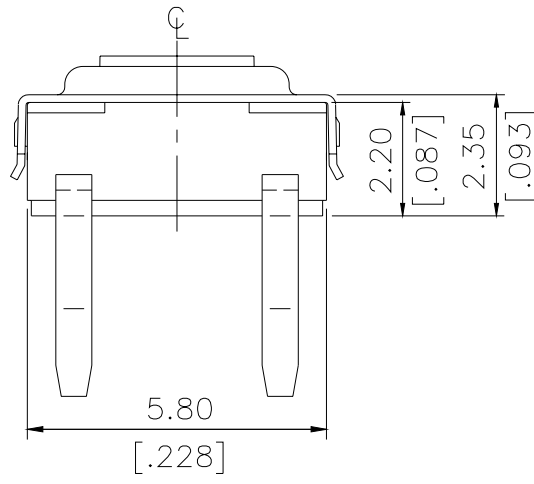
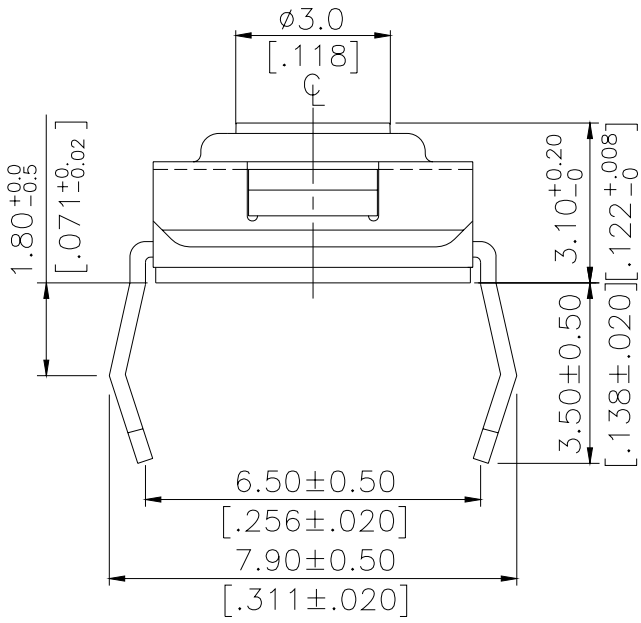


(SCALE 8:1)

P.C.B. LAYOUT



CIRCUIT DIAGRAM



General Tolerance : ±0.2mm

HOW TO ORDER

DTS □ W - □ □ □ - □ - □

Package Style:
B = Tube
T/R = Tape & Reel

Soldering
V=Lead Free Solderable
Q=Halogen Free
Color of Stem for
Operating Force:
N = Brown, 160g (66N)
180gf (69N, 65N, 64N, 67N)
S = Silver, 160gf
R = Red, 260gf
T = Transparent, 360gf (69T, 65T, 67T)

Dimension H:
66 = 3.1mm (N)
68 = 2.3mm (S)
69 = 3.8mm (N,R,T)
67 = 5.2mm (N,R,T)
65 = 3.5mm (N,R,T)
64 = 4.5mm (N,R)
H = Through Hole Terminals
M = Surface Mounting Terminals
GM = S.M.T & With Ground Terminal (For 66 Only)

SPECIFICATION

△MECHANICAL

Operation Force:

360± 90gf, Transparent (T), DTSH(M)W – 69, 67, 65
 260± 70gf Red (R), DTSH(M)W – 69,67,65,64
 180± 50gf Brown (N), DTS(M)W – 69,67,65,64
 160 ± 50gf Brown (N), DTS(M)W – 66, DTSGMW-66
 160 ± 50gf Silver (S), DTSH(M)W – 68

Stop Strength: Max 3kgf vertical static load continuously for 15 seconds

Stroke: 0.25 +0.20 / - 0.1 mm 66N, 68S

0.6 ±0.2mm, 69, 67T

0.45 ±0.2mm, 69, 67, 64,65N(R),65T

Operation Temperature: -25°C to +70°C

Storage Temperature: -30°C to +80°C

△ELECTRICAL

Electrical Life:

500,000 cycles min. for DTS□W-69, 65N(R)T, 64N(R)

500,000 cycles min. for DTS□W-67N(R)T

100,000 cycles min. for DTS□W-66N,68S, DTSGMW-66N

Rating: 50mA, 12VDC

Contact Resistance: 100mΩ max.

Insulation Resistance: 100MΩ min. at 500VDC

Dielectric Strength: 250VAC/ minute

Contact Arrangement: 1 pole 1 throw

MATERIAL

△COVER: Stainless steel

Nickel Silver (DTSGMW-66)

△TERMINAL: Brass with silver plated

△BASE: UL94V-0 Nylon High-Temp. Thermoplastic

Color: Black

ITEM NO.	DTSGMW-66N DTSHW-66N DTSMW-66N	DTSMW-68S DTSHW-68S	DTS(H)MW- 69,65N(R)	DTS(H)MW- 67N(R)T
STEM	High-Temp Thermoplastic Nylon UL94V-0 Color : Brown (N),160gf	None	Silicone Rubber	Silicone Rubber
ADHESIV TAPE	TEFLON	TEFLON(standard) KAPTON(V-option)	None	None
METAL STEM	Brass with Nickel plated	Brass with Nickel plated Color: silver(s),160gf	None	None
FILLER	None	None	None	Nylon
CONTACT	Stainless steel			

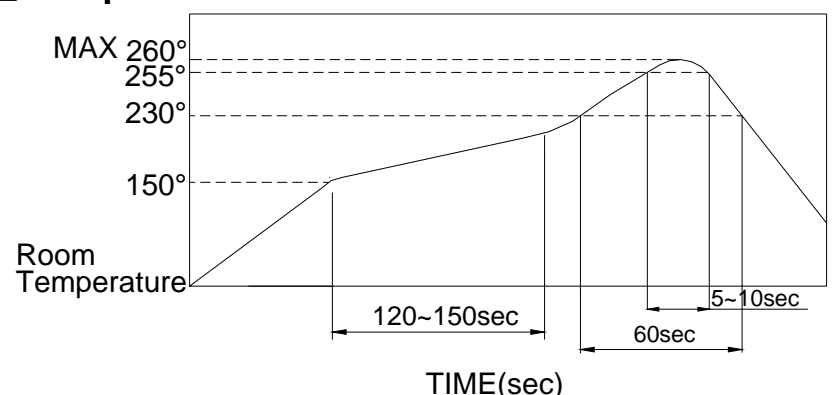
SOLDERING PROCESS

△ **WAVE SOLDERING** : Recommended solder temperature at 500°F (260°C) max. 5 seconds subject to PCB 1.6mm thickness (soldering for through hole type)

△ **HAND SOLDERING** : Use a soldering iron of 30 watts, controlled at 350°C approximately 5 seconds while applying solder.

△ **REFLOW SOLDERING** :

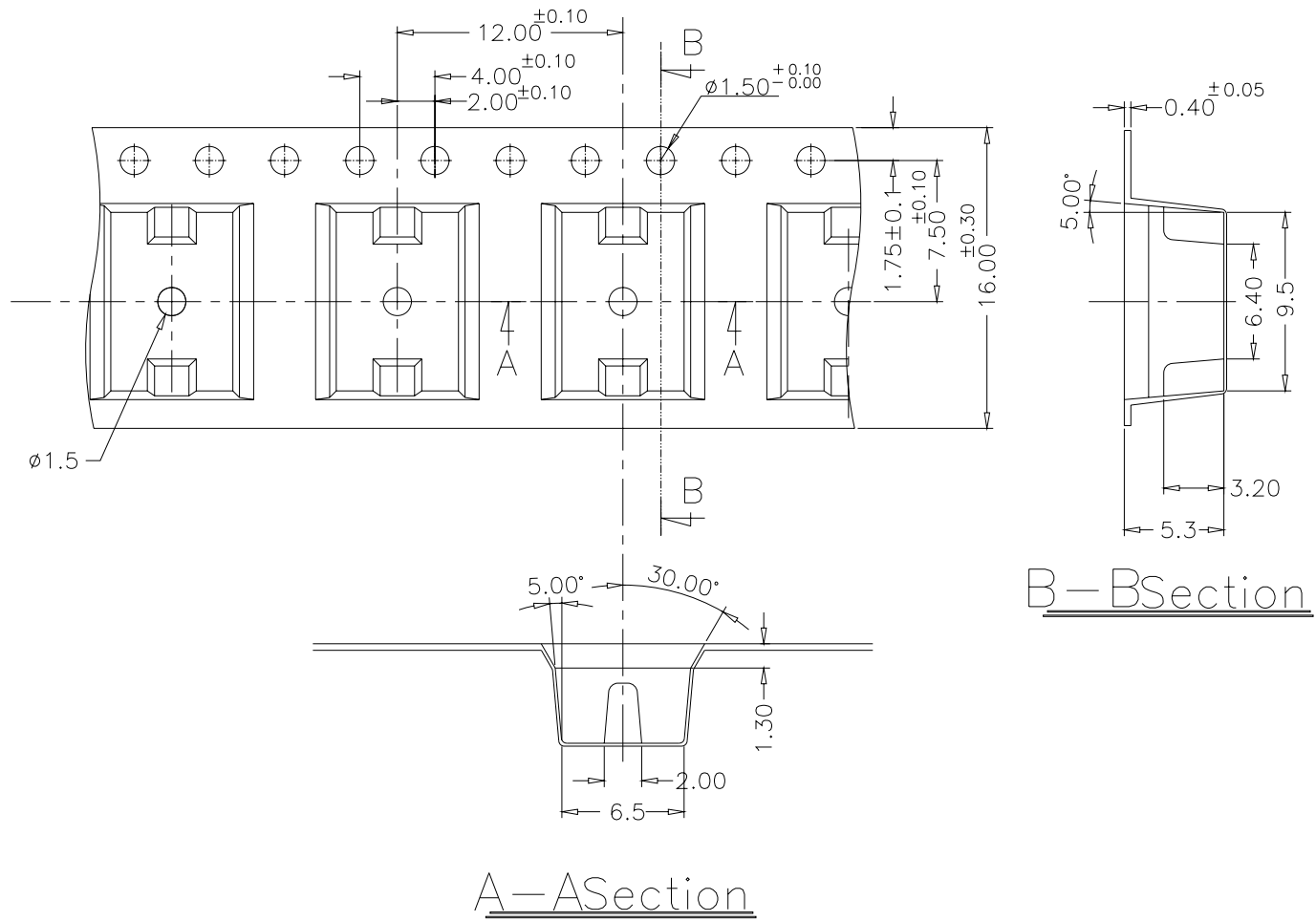
△ Temperature Profile:



PACKING

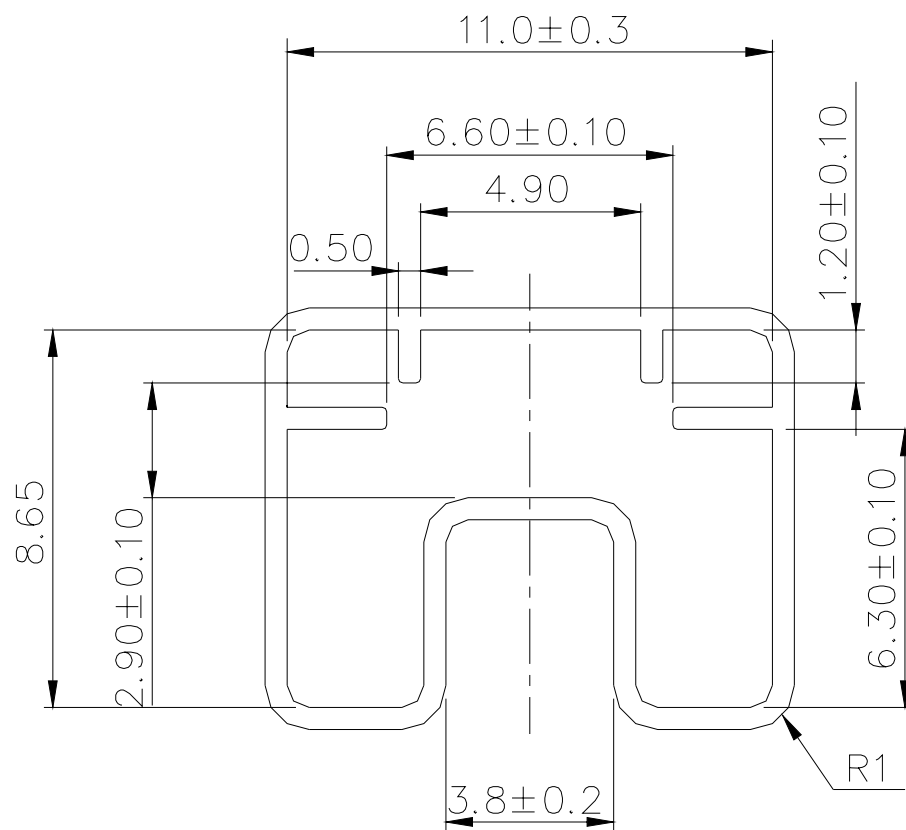
Part Number	Number Per Tube	Number Per Reel
DTSHW-6□	75	-
DTSGMW-66	-	2000
DTSMW-66	75	2000
DTSMW-68	75	2000
DTSMW-69	75	1900
DTSMW-65	75	1900
DTSMW-67	75	900
DTSMW-64	75	900

DTSMW-67、64 REEL



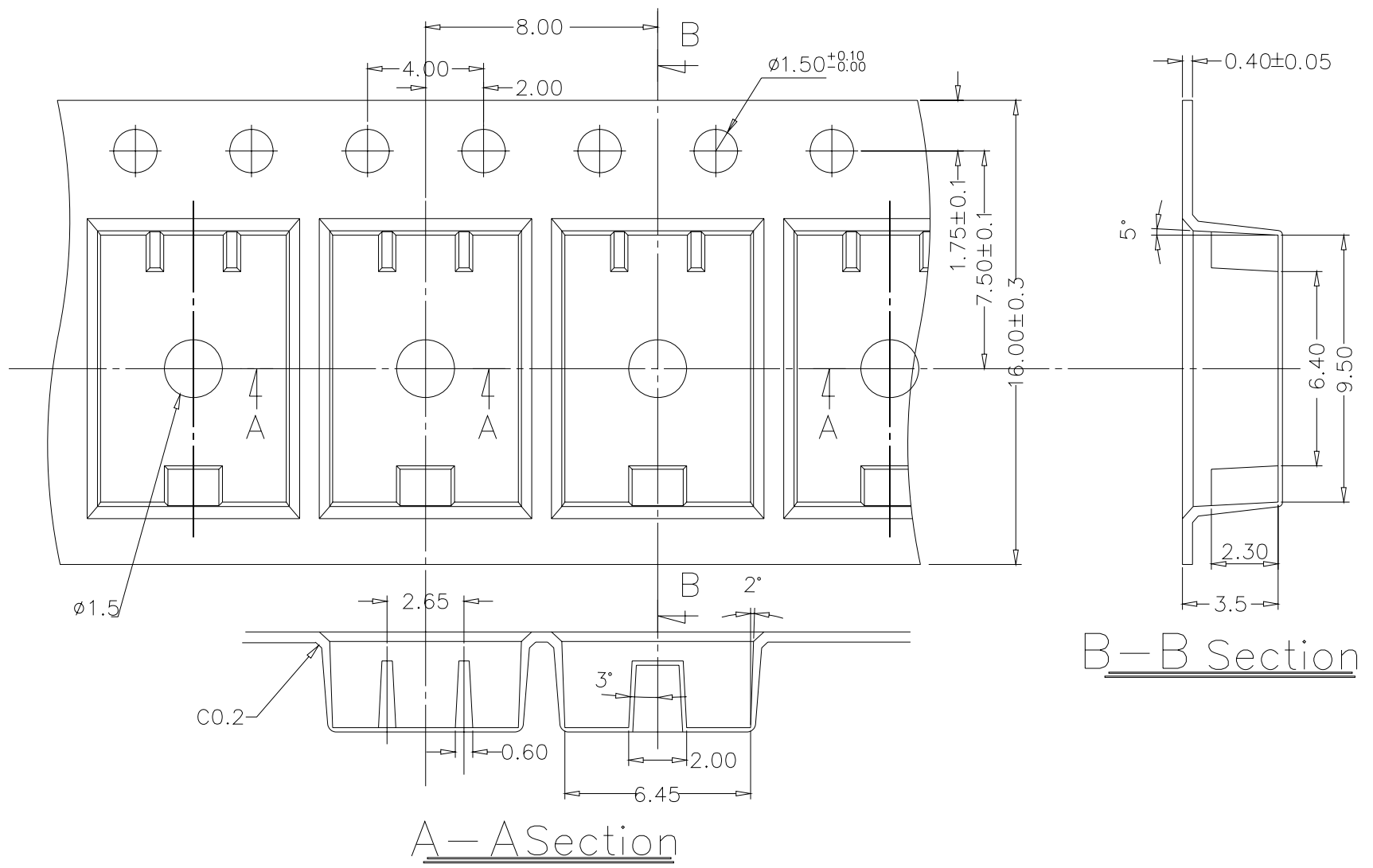
General Tolerance : $\pm 0.1\text{mm}$

DTSHW-66.68 TUBE



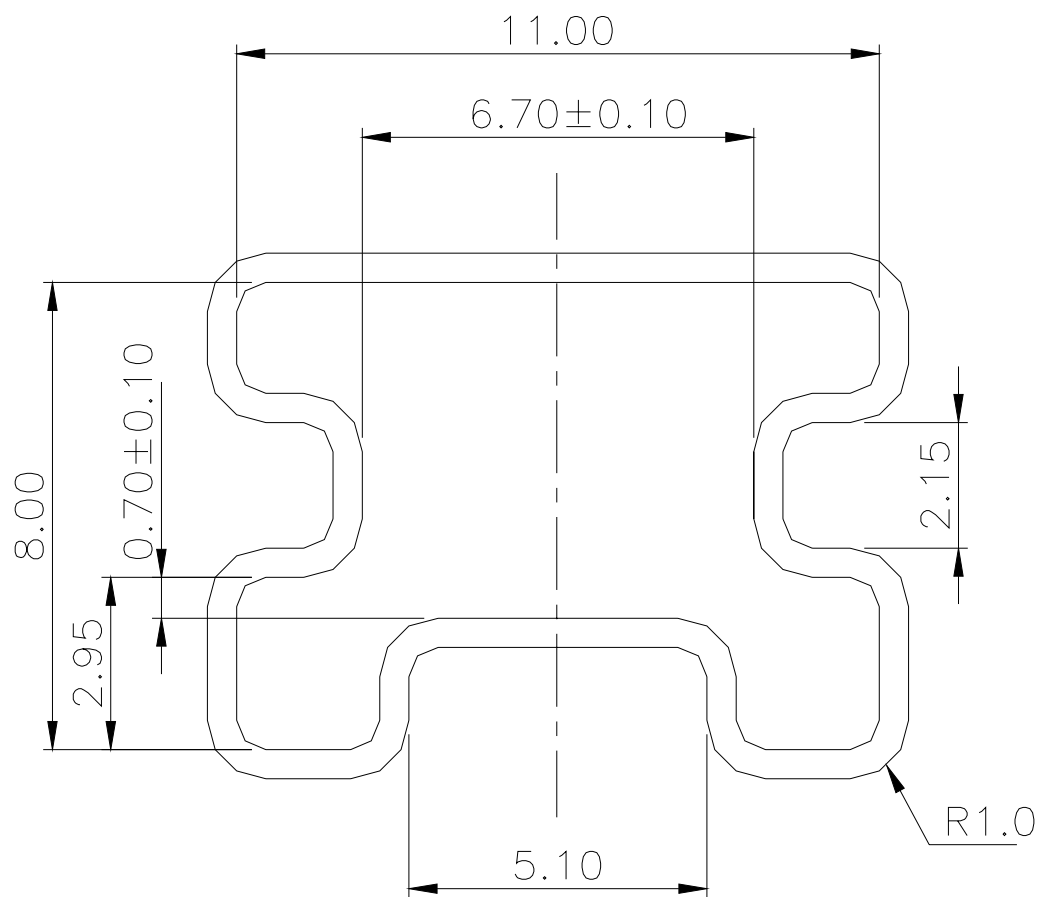
General Tolerance : $\pm 0.2\text{mm}$

DTS(G)MW-66 REEL



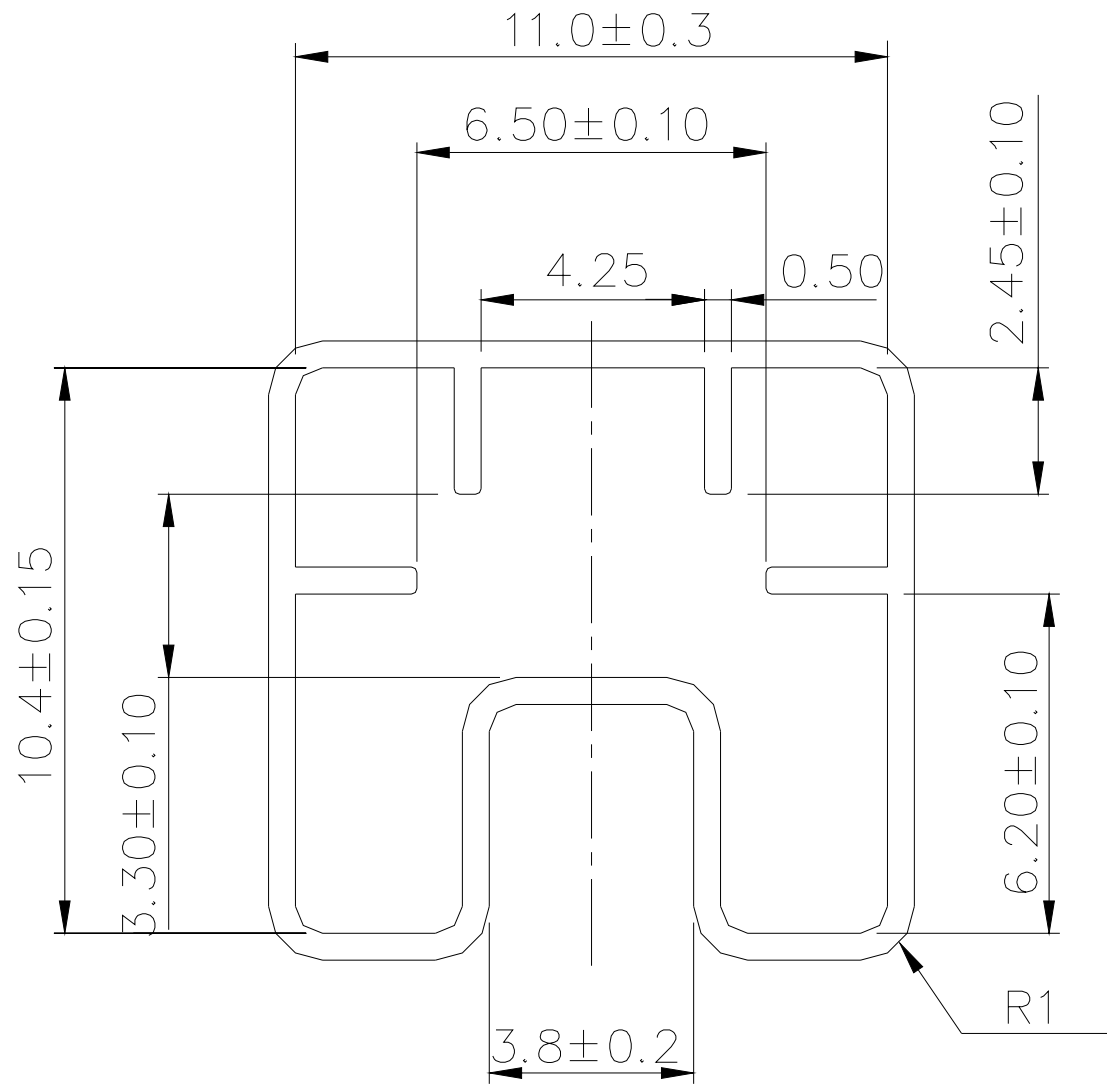
General Tolerance : ±0.1mm

DTSMW-6 TUBE



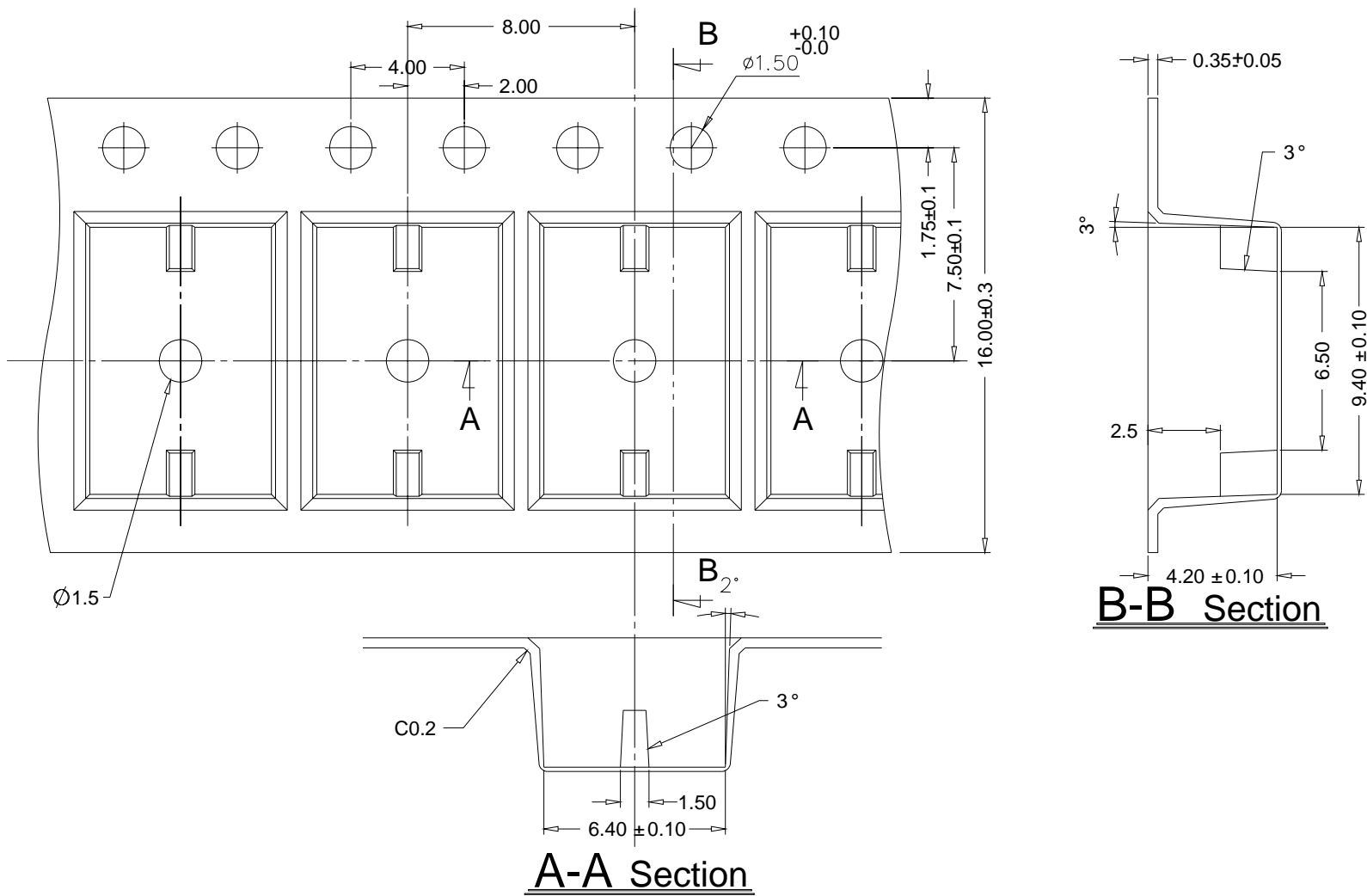
General Tolerance : ±0.2mm

DTSHW-64.5.7.9 TUBE



General Tolerance : $\pm 0.1\text{mm}$

DTSMW-65.9 REEL



General Tolerance : $\pm 0.2\text{mm}$